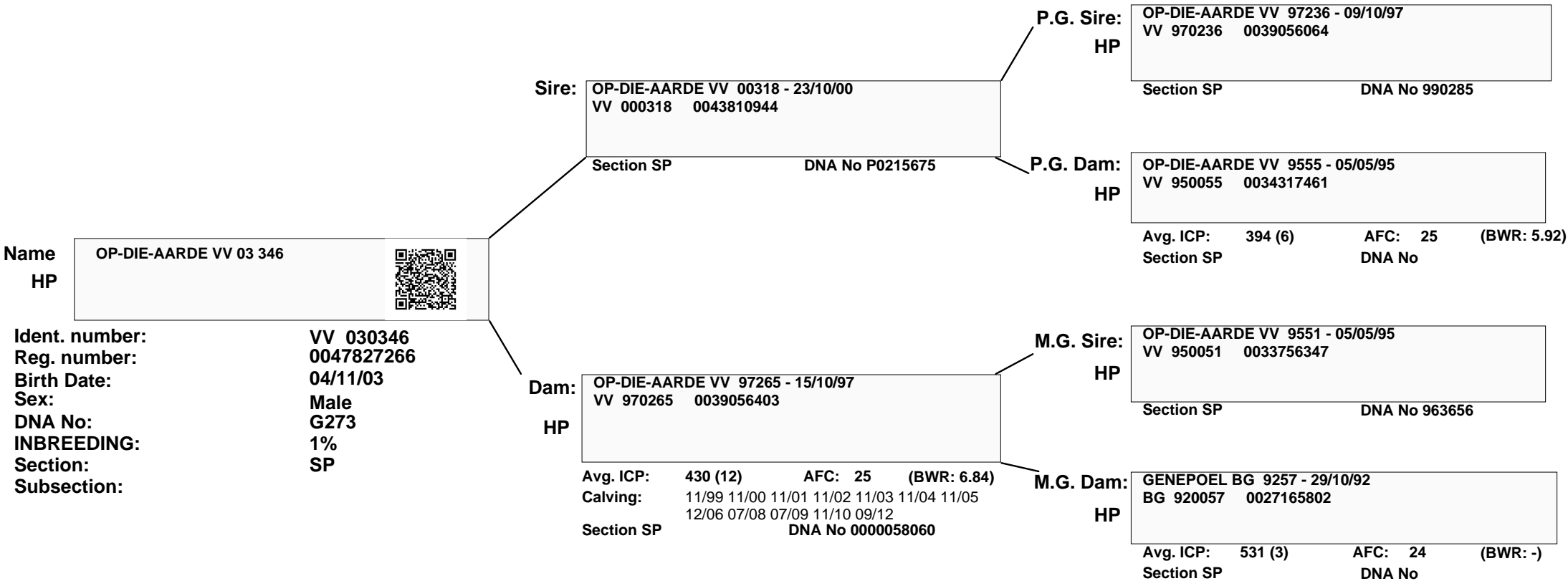


Three generation pedigree

compiled by the S.A. Stud Book and Animal Improvement Association

HP HORING STATUS



	CALVINGWEIGHT		MATERNAL CHARACT		GROWTH AND EFFICIENCY					REPRODUCTION			FRAME		CARCASS			SELECTION VALUES(Rand)		
	Birth Dir	Wean Dir	Birth Mat.	Wn. Mat.	Post Wn.	Mature Wgt	ADG	FCR	KLB	SCR	AFC	ICP	Hgt.	Lgt.	Result	Meat	Marbling	Growth	Cow	Production
03/2018	112	107	73	118	115	92	119	114		142	151	103	110	114	106	124	100	125	139	141
BRD INDEX	112	107	73	118	115	92	119	114		142	151	103	110	114	106	124	100	125	139	141
BREEDING VALUES	-0.20 ₉₉	15.9 ₉₉	1.02 ₉₈	8.6 ₉₈	30.8 ₉₈	1 ₉₆	175 ₉₈	-78 ₈₄		42.5 ₉₈	-59.4 ₉₆	-2.6 ₉₀	10 ₉₉	32 ₉₈	0.1 ₉₀	4.7 ₉₀	-0.13 ₈₉	400 ₉₁	138 ₉₀	200 ₉₀
MEASURE	35	259			12M	18M	1768	-		384			1225	1456						
CONTEMPORARIES		141			-	-	39		39	TEST	D21									
INDEX		102			-	-	124	-	117											